

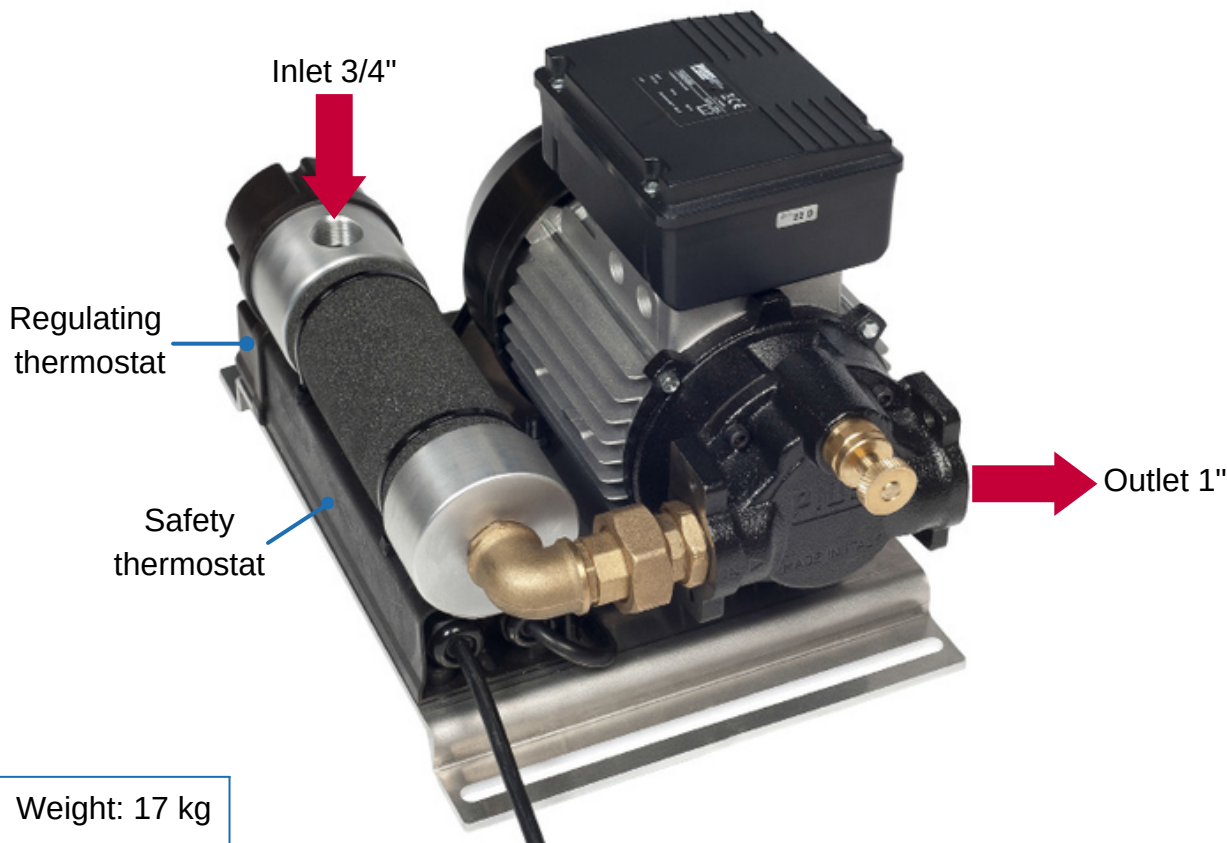


TopStart (bio) diesel & oil

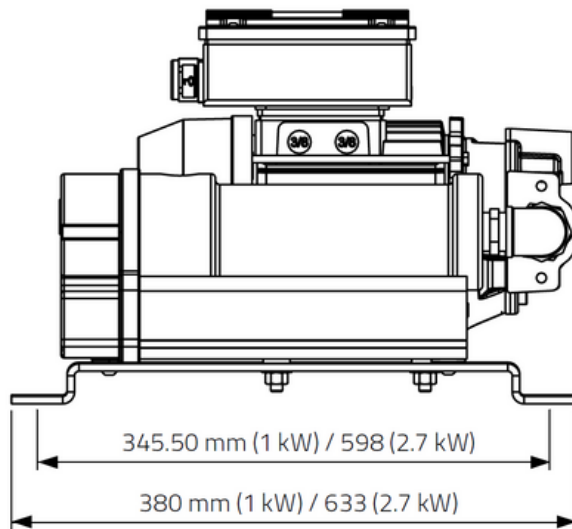
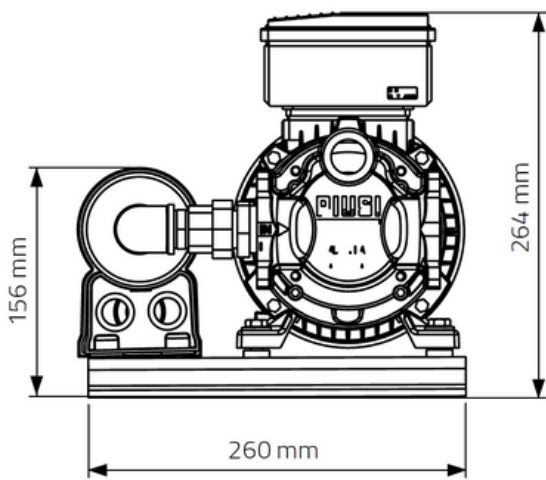
The TopStart (bio) diesel & oil is an electrical preheating system with forced circulation made to warm up the (bio)diesel or oil of the engine.

It is universal, reliable, easy-to-install and maintenance-free. The system has the following benefits: fuel savings, decreasing pollution, reduced engine wear, no more difficult cold starts. The TopStart (bio) diesel & oil is very suitable for application on large equipment and large gensets.

Heating unit <ul style="list-style-type: none"> • Machined aluminum AlMgSi1 heating unit • PA66 protection covers • 1" Inlet and 3/4" outlet 	Circulation pump <ul style="list-style-type: none"> • Electric vane pump: 750W • Voltage: 230V • Frequency: 50Hz or 60Hz • Flow: 25L/min at 6 bar
Water temperature control thermostat <ul style="list-style-type: none"> • Adjustable control thermostat with 25A cutout rating, 100,000 cycles • Available temperature interval: <ul style="list-style-type: none"> ▪ 0°C - 40°C (32°F - 104°F) ▪ 0°C - 80°C (32°F - 176°F) 	Heating element <ul style="list-style-type: none"> • Incoloy 800® shielded immersion heater with very low specific power (2.5 W/cm² / 0.39 W/sq in) • Power: 1kW • Voltage: 230V
Safety thermostat	
<ul style="list-style-type: none"> • Safety thermostat with manual re-set option and 25A cutout rating, 6000 cycles (60°C / 140°F or 110°C / 230°F) 	



Weight: 17 kg



Your PowerHeat partner:



En-Gen Diesel Products
 Unit 15 Faraday Road,
 Gapton Hall Industrial Estate
 Great Yarmouth, Norfolk, NR31 0NF

+44 (0)1493 738 397
sales@engen-diesel.com
www.engen-diesel.com

PowerHeat B.V.
 Robijn 930, 3316 KE
 Dordrecht, the Netherlands



+31 (0)85 0709430
post@powerheat.nl
www.powerheat.nl