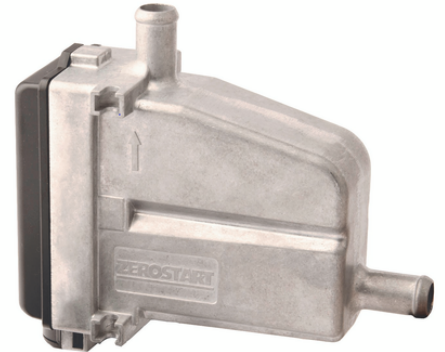


PHILLIPS & TEMRO
industries[®]



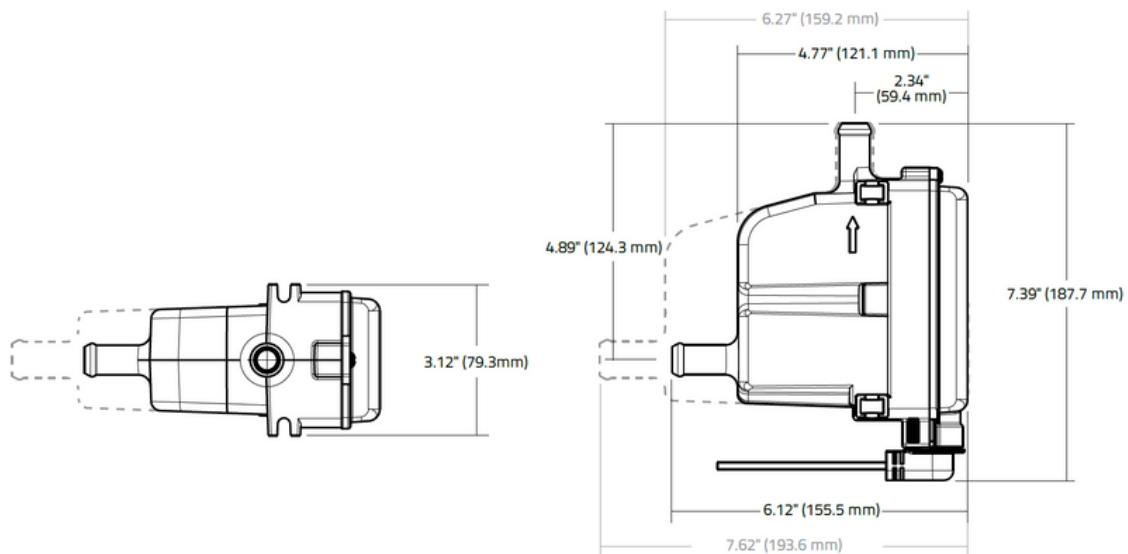
Circulation tank heater

Circulation tank heaters provide pre-heating for dependable engine starts in all temperatures by circulating warmed coolant through the engine. The tank heater reduces the time needed to reach operating speed, and enhances immediate full-load acceptance. The temperature is controlled by a regulating thermostat. Circulation tank heaters are especially suitable for power generation applications.

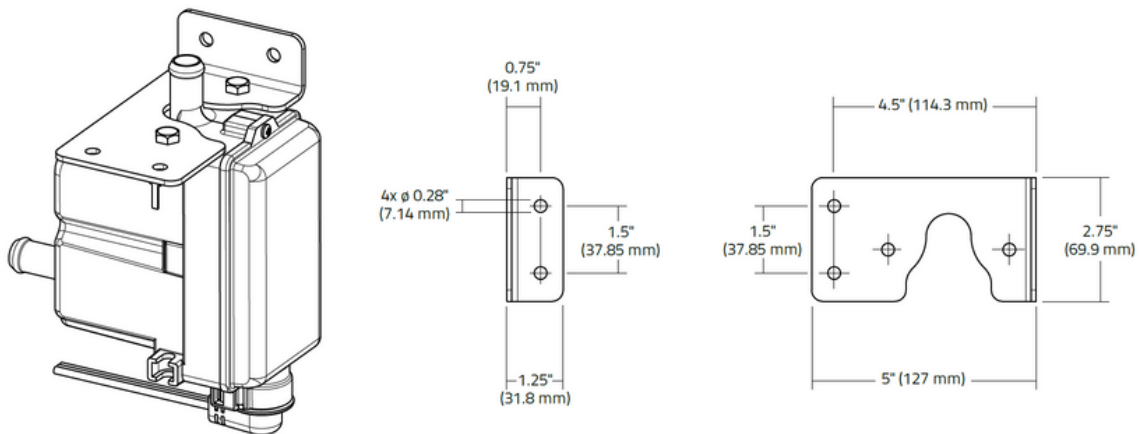
Features

- Rugged die cast, one-piece, aluminum construction
- Regulating thermostat with automatic reset
- Safety overheat thermostat with automatic reset
- 5 ft. (1.52 m) or 12 ft. (3.65 m) power cords available
- Available in 120, 230, 240 volt versions
- Thermostat ranges:
 - 60° – 80°F (16° – 27°C)
 - 80° – 100°F (27° – 38°C)
 - 100° – 120°F (38° – 49°C)
- 750 W - 1500 W using 5/8" (16 mm) hose connections and 1500 W – 2250 W using 3/4" (19 mm) hose connections
- Available with or without electrical plugs

Heater dimensions



Typical mounting bracket installation and dimensions (4 possible orientations)



Your PowerHeat partner:

EN-GEN
DIESEL PRODUCTS

En-Gen Diesel Products
Unit 15 Faraday Road,
Gapton Hall Industrial Estate
Great Yarmouth, Norfolk, NR31 0NF

+44 (0)1493 738 397
sales@engen-diesel.com
www.engen-diesel.com

PowerHeat B.V.
Robijn 930, 3316 KE
Dordrecht, the Netherlands

POWERHEAT

+31 (0)85 0709430
post@powerheat.nl
www.powerheat.nl